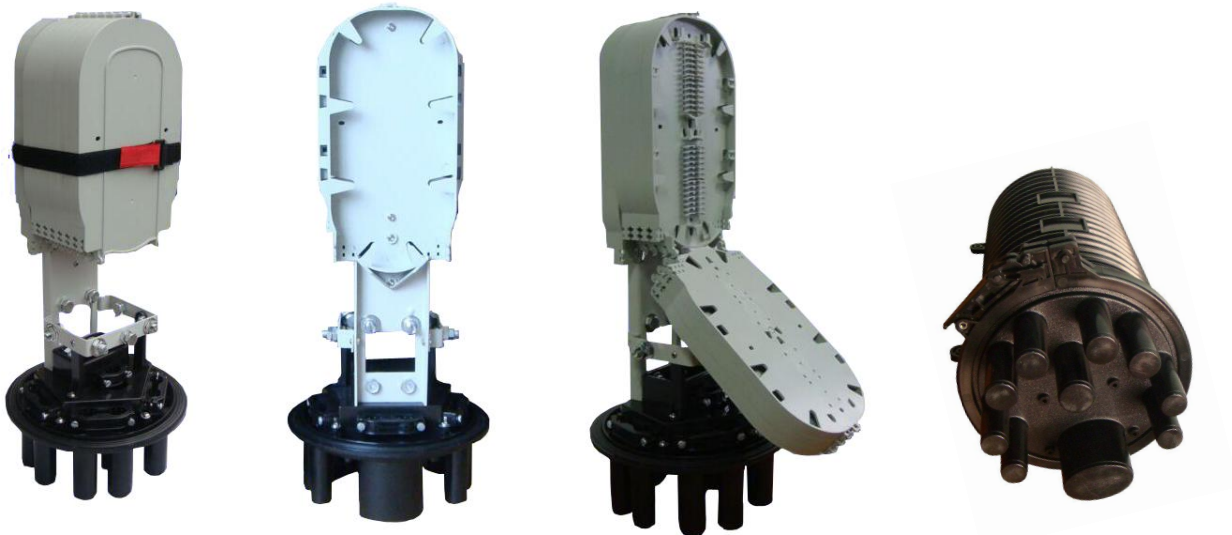


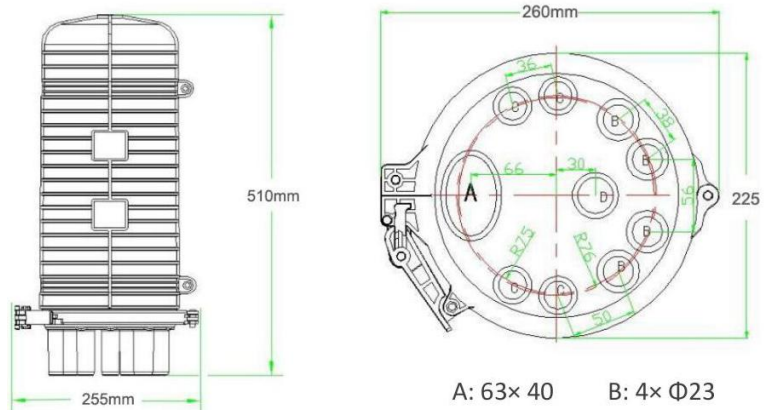
GJS-D5049

Dome Type Fiber Optic Splice Closure



Highlights

- Big capacity and reasonable space design, better for fiber deployment and protection.
- Splice tray is resistance to fall off which make it not be separated even from 1.5m free fall.
- The housing has a high compressive and impact strength.
- Bigger storage cassette, more fibers would be stored.



A: 63×40 B: 4× Φ23
 C: 4× Φ20 D: 1× Φ26

Specifications

Part No.	Dimension (mm)	No. of able ports	Inner size of cable ports	Splice tray	Max. number of splice tray	Splice capacity
GJS-D5049-I	510 × Φ225	1 oval port & 9 circular ports	A: 63×40	24/48 FO	6	144/288 FO
GJS-D5049-II			B: 4× Φ23 C: 4× Φ20 D: 1× Φ26	36/72 FO		

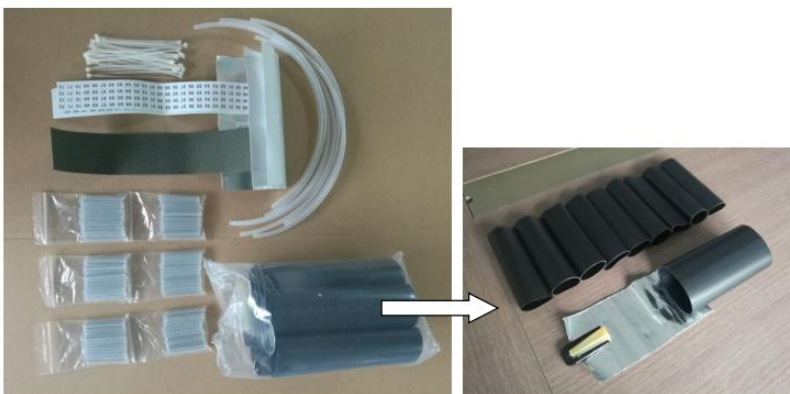
Performances

Part No.	GJS-D5049
Material of the housing	Modified polycarbonate
Temperature range	-40C ⁰ ~ + 70C ⁰
Life expectancy	25 years
UV resistant additives	5%
Seal material of the closure	Rubber gasket
Protection rating	IP68



Dimensions of splice tray and storage cassette

Name	Dimension (mm)	Material
Splice tray	238×140×11.5	PC/ABS alloy
Storage cassette	240×122×24	



Accessories for customer option:

- Grounding device.
- Inflating valve.
- Wall-mounted kit.
- Pole-mounted kit.



Pole-mounted kits