

FDB--T224B-24

FTTx Distribution Box Indoor/Outdoor Application

Applications

- Applicable for the FTTx project and provide mechanical protection for fiber management system that includes the functions of splicing, patching and passive component integration.



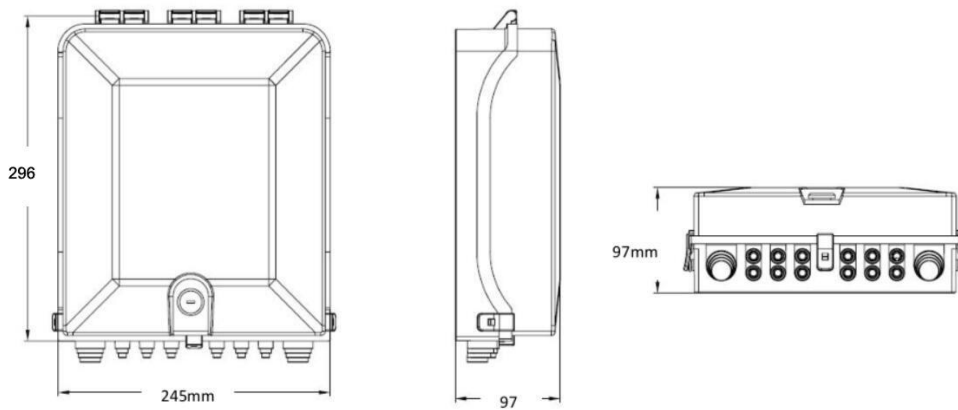
Specifications

Part No.	FDB-T224B-24
Dimension	245×296×97 mm
Entry ports and cable dia. (max.)	2×φ22mm
Output ports and cable dia. (max.)	4×φ11mm
Output ports and cable dia. (max.)	8×φ10mm
Max. number of splice trays	6 pcs
Splice capacity of each tray	12/24FO
Max. numbers of adaptors	24 SC
Cover open fixed position	90 & 180 degree
Lock type	Key lock with dust proof cover (Optional)
Installation way	Wall-mounted or pole-mounted

Performance

Part No.	FDB-T224B-24
Housing material	Plastic
Temperature range	-40 °C to +70 °C.
Flame resistant	V0
Seal material of the box	EPDM
Seal material of the ports	Rubber
Protection rating	IP54

Dimensions



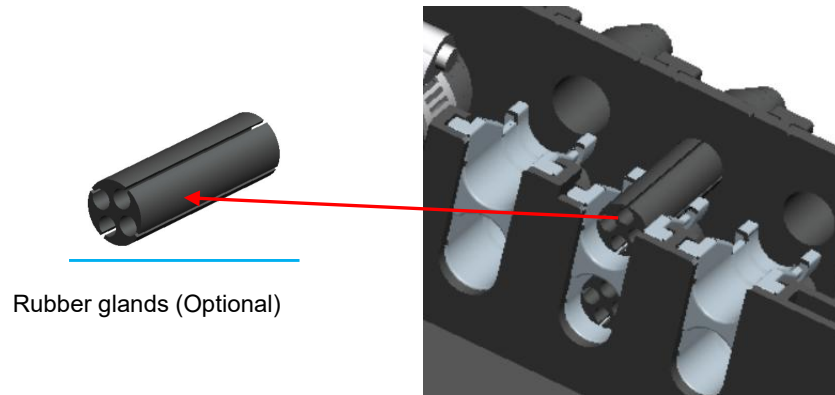
Side lock devices-Hasp



The box cover holding device



Drop cable fasten solution



Remark: Put the drop cables into the glands directly and fixing the glands together with the 4 drop cables in by bridle.

Mounting kit

- **Wall-mounted kit** (standard configuration).



- **Pole-mounted kit** (Optional)



Fiber Optic Splice Tray & PLC Splitter Tray



Specifications

Part No.	P042 Splice tray	P043 PLC Splitter tray
Dimensions (mm)	115x144x10	115x144x12
Material	Plastic	Plastic
Splice capacity	12/24 FO	6/12 FO
Suitable sleeve	40-45mm	40-45mm
Splice module	Fixed, cannot be removed	Can be removed
Splitter type	N.A	Micro PLC Splitter
Bend radius	≥30mm	
Plastic cover	For top tray	
Transparent cover	For other trays except the top one	

